

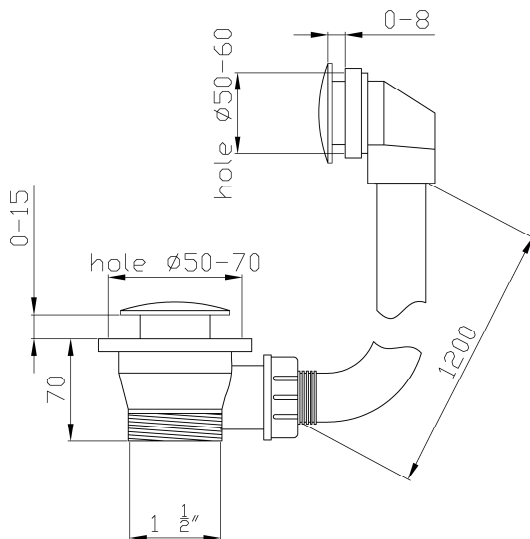
Important Technical Data

These installation guidelines have been prepared for your direction and you must exercise due care at all times. We do not accept responsibility for problems that may occur through improper installation. Whilst assembling the tap take care not to accidentally loosen any screwed assemblies.

Abode is a registered trademark of Abode Home Products Limited.

Manufacturers Product Reference

AB2423



©Abode
08/2014

abode

Abode Home Products Limited, Unit L, Zenith Park, Whaley Road, Barnsley, S75 1HT.
Tel: 01226 283434 Fax: 01226 282434 www.abode.eu

All errors and omissions excepted.

Euphoria Bath Clicker Waste



5 Year warranty Terms and Conditions

In the unlikely event that you should experience any defect in the materials or workmanship of your new Abode product within FIVE years of purchase, the purchaser's sole remedy shall be the replacement (at the manufacturer's discretion) of all or any part of the product that is defective. All working parts and valves are guaranteed for a period of FIVE years from purchase. Decorative surface finishes and O-rings are guaranteed for ONE year from the date of purchase provided that our advice concerning care has been observed and no scouring agents have been used.

This is provided that the product has been used for normal domestic purposes in the UK and that the care, installation and maintenance instructions have been observed. The warranty extends to the original purchaser only. You should retain a copy of your dated invoice as proof of purchase to validate any claims under this guarantee.

Marks, scuffs and scratches caused by improper installation or accidental damage are not covered by this guarantee. Neither are shade variations or any

Care Instructions for your Clicker Waste

To maintain the appearance of this product, ensure that it is regularly cleaned only using a clean, soft damp cloth. A solution of warm water and a mild liquid detergent may be used where necessary, and then the fitting rinsed thoroughly and wiped dry. Any other cleaning action or cleaning products will invalidate your warranty.

Abrasive cleaners, scouring cleaners, limescale cleaners and acidic cleaners must not be used under any circumstances. Avoid contact with all solvents (including chlorinated solvents, ketones or acetones as these may result in surface deterioration or etching). Also avoid contact with any harsh household chemicals such as bleach cleaners, drain cleaners, rust removers, paint strippers and toilet bowl cleaners, toothpaste, mouthwash, bar keepers friend or Brasso.

damage or defect caused by incorrect installation or abuse of the fitting.

As we are continuously improving and developing our range of products, finishes & colours, in the event of a valid claim, we may not be able to provide an identical replacement for the defective product throughout the guarantee period. Where an identical product is no longer available, we will supply the nearest equivalent from our then current product range. In assessing your claim, we must be given the opportunity to inspect the product as installed prior to removal. Any product returns must be packaged as received and complete.

No other warranties, express or implied, are made, including merchantability or fitness for a particular purpose. Under no circumstances shall the manufacturer be liable for any loss or damage arising from the purchase, use or inability to use this product, or for any special, indirect, incidental or consequential damages. No liability is accepted for consequential damage to other household fixtures, fittings or furnishings arising from this claim, even if attached to the product. No installer, dealer, agent or employee of Abode Home Products Limited has the authority to modify the obligations or limitations of this warranty.

Please leave these instructions for your customer.

Parts and Contents

Key	Description	Qty
A	Decorative cover	1
B	Fixing Bolt (Cover)	1
C	Front grate	1
D	Black rubber seal	1
E	Back part	1
F	Flexible tube	1
G	Connecting nut	1
H	Tapered seal	1
I	Lower waste body	1
J	Small rubber seal	1
k	Upper waste body	1
L	Fixing bolt (Waste)	1
M	Waste plug	1

Installation Instructions:

Preparation

All parts should be removed from their packaging and inspected for any transport damage and completeness prior to installation; you should read these instructions throughout before commencing installation.

We do not accept responsibility for problems that may occur through improper installation. Always ensure you have sufficient hot and cold water pressure available to allow correct function before specifying or installing this product.

Before installing the new product it is essential that you thoroughly flush through the supply pipes in order to remove any remaining solder, swarf or impurities from your system. Failure to carry out this simple procedure could cause problems or damage to the workings of the product.

All serviceable parts should be given suitable access to allow easy future maintenance.

Shut off your water heating system and ensure that your mains stopcock is closed. Ensure both the hot and cold water supplies are isolated before commencing installation.

You should ensure that the product will both fit into the depth of the mounting surface available and reach the required outlet position before installation. This product requires 50-55mm Ø hole for the overflow.

Overflow Installation

1. Place large rubber seal (D) into rear body (E), making sure they are aligned centrally with the rear of the bath cut out.
2. Whilst holding the back of the rear body (E), slot front grate (C) into rear body (E) from the front of the bath cut out
3. Tighten the connection between the rear body (E) and front grate (C) with fixing bolt (B).
4. Once tightened, screw the decorative cover (A) to the fixing bolt (B).

Waste Installation

1. Pass nut (G) and tapered seal (H) over the flexible hose (F). **Note the orientation of tapered seal (H).**
2. Connect the flexible hose (F) to the lower waste body (I) using nut (G). If required hose (F) can be cut to length. **Note: If cutting hose (F) make sure there is sufficient length to reach the lower waste body (I) from the bottom of rear body (E).**
3. Place the small rubber seal (J) onto the lower waste body (I). Pass seal (J) so it sits front and back of the waste hole
4. Place the upper waste body (K) into the bath waste hole. Ensure the flange of the upper waste body (K) and seal (J) sit centrally inside the recess of the bath waste hole.
5. Whilst holding the lower waste body (I) and lower rubber seal (J) up to the waste hole on the underside of the bath, tighten the upper waste body (K) to the lower waste body (I) with the fixing bolt (L). Ensure the overflow inlet connection on the lower waste body (I) faces towards the overflow when fixed in position.
6. Place the waste plug (M) into the upper waste body (K).

Note: If upper or lower bath surfaces are uneven, Silicone sealant may need to be used.

After installation

Turn on your water heating system and ensure that your mains stopcock is open. Reconnect both the hot and cold water supplies to this fitting.

Check the function of flow and function of hot, cold and mixed water.

Turn off the product and check carefully for any leaks around all connections on the fitting and adjoining plumbing. If possible return to the installation after a longer period to double check for slower leaks. If pressure testing equipment is available check the installation to the maximum recommended pressure.

Clean the product to remove any marks created during installation as instructed, then place a bag over the product to protect the product until it is ready for use.