

**Product features:**

- Metal construction throughout
- Thermostatic valve for safety & comfort
- Custom designed for lower range pressures
- Single spray pattern showerhead
- Smoothflex shower hose for stylish durability

**Packaged properties:**

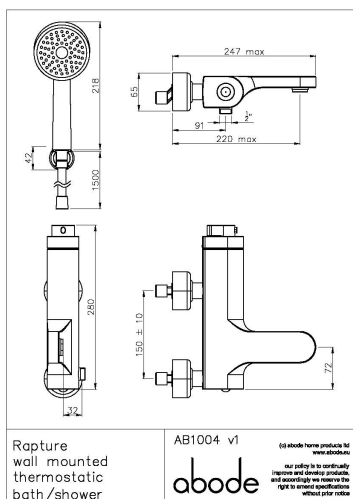
Box length (mm): 565      Box depth(mm): 80  
 Box width(mm): 300      Boxed weight (Kg): 5.6

**Includes pop up waste?:** No

**Additional comments:**

Includes fixed shower bracket & round showerhead

**Product dimensions:**

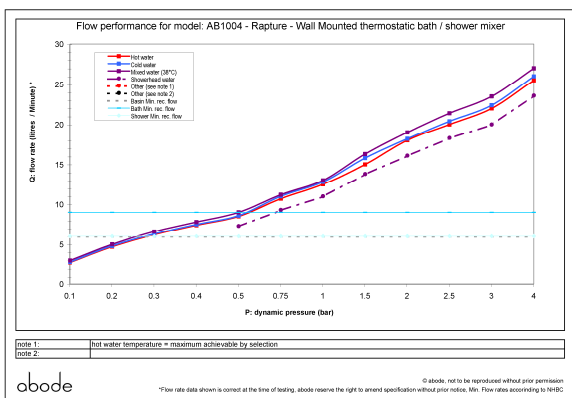


Rapture wall mounted thermostatic bath/shower

AB1004 v1  
 abode  
(c) abode home products ltd www.abode.co.uk  
 our policy is to continually improve and develop products, and accordingly we reserve the right to amend specifications without prior notice

- **Product mounted where:** Wall
- **Recommended hole size:** 247 mm
- **Overall Height / projection:** 220 mm
- **Exit reach:** 32 mm
- **Exit height:** 67 mm
- **Base size:** 150 ± 10 mm
- **Inlet centre distance(s):** 60 mm
- **Min. fitting depth required:** 60 mm
- **Max. surface depth:** 60 mm

**Product flow characteristics:**



- **Min / Max water pressure (bar):** 0.50\* / 5.00  
 \*Detailed minimum pressure requirements for this product: Bath 0.5, Shower 0.5 (bar)
- **Part G max. mixed flow rate at 3 bar (l/m):** bath=23.5, shower=20.00
- **Inlet connection type / length:** Eccentric / 45 mm
- **Inlet (plumbing connection) / outlet size:** 1/2" M / 3/4" M
- **Product flow characteristics:** Single flow
- **Non return valve(s) supplied or position:** h&c inlet
- **Aerator type:** White flow straightener
- **Control valve type:** Thermostatic ( )
- **Includes output diverter?:** Yes
- **Inlet meshed particle filters included:** 0.60 mm
- **Shower hose type / length:** Smoothflex / 1.50 m

**Warranty Summary** (full details available on request):

- Materials and workmanship defects warranted for 5 years
- Valves and working parts warranted for 5 years
- Surface warranty defects warranted for 1 year
- O-rings, hoses & gaskets warranted for 1 year

**Care instructions:**

- Clean the mixers and showers regularly as required, using soap, do not use any other cleaners.
- Regular cleaning will prevent the build up of lime scale and dirt
- After cleaning rinse thoroughly with clean water to remove any cleaner residue
- Residues of liquid soaps, shampoos and shower foams can also cause damage, so rinse with clean water after using, avoid contact with any abrasives