



**Product features:**

- Metal construction throughout
- Single lever control for effortless single handed control
- Crisp modernist design lines
- Supplied complete with flexible tail pipes for fast simple fitting
- Luscious European quality chromium plate finish

**Packaged properties:**

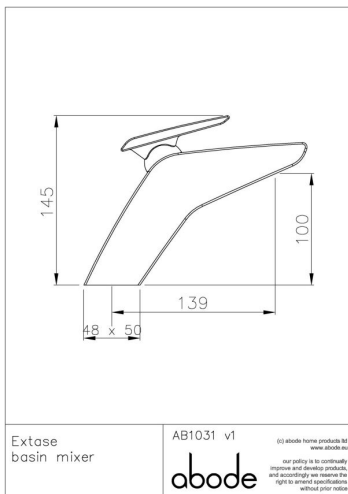
Box length (mm): 395      Box depth(mm): 95  
Box width(mm): 165      Boxed weight (Kg): 2.3

**Includes pop up waste?:** No

**Additional comments:**

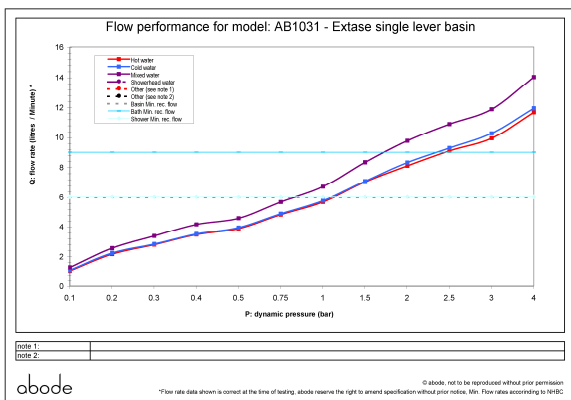
Includes areator removal tool

**Product dimensions:**



- **Product mounted where:** Surface
- **Recommended hole size:** Ø 35 mm
- **Overall Height / projection:** 145 mm
- **Exit reach:** 139 mm
- **Exit height:** 100 mm
- **Base size:** 48 x 50 mm
- **Inlet centre distance(s):**
- **Min. fitting depth required:** 45 mm
- **Max. surface depth:**

**Product flow characteristics:**



- **Min / Max water pressure (bar):** 0.75\* / 5.00
- **Part G max. mixed flow rate at 3 bar (l/m):** 11.86
- **Inlet connection type / length:** Flexible / 420 mm
- **Inlet (plumbing connection) / outlet size:** 1/2" F / m10
- **Product flow characteristics:** Single flow
- **Non return valve(s) supplied or position:**
- **Aerator type:** Plastic honeycomb
- **Control valve type:** Single lever (25mm)
- **Includes output diverter?:** No
- **Inlet meshed particle filters included:**
- **Shower hose type / length:**

**Warranty Summary** (full details available on request):

- Materials and workmanship defects warranted for 5 years
- Valves and working parts warranted for 5 years
- Surface warranty defects warranted for 1 year
- O-rings, hoses & gaskets warranted for 1 year

**Care instructions:**

- Clean the mixers and showers regularly as required, using soap, do not use any other cleaners.
- Regular cleaning will prevent the build up of lime scale and dirt
- After cleaning rinse thoroughly with clean water to remove any cleaner residue
- Residues of liquid soaps, shampoos and shower foams can also cause damage, so rinse with clean water after using, avoid contact with any abrasives