

Product features:

- Metal construction throughout
- Leading design features requiring high pressure
- Quarter turn handle action for precise flow control
- Fixed spout to prevent accidental water damage
- Adjustable to suit various thickness of wall

Packaged properties:

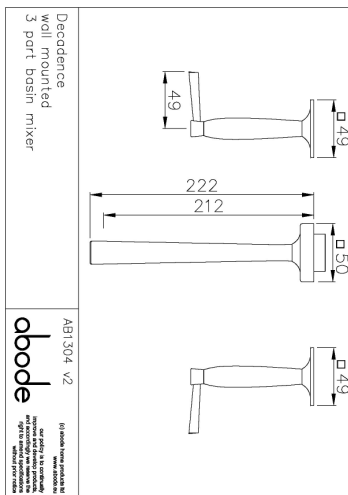
Box length (mm): 425 Box depth(mm): 70
Box width(mm): 340 Boxed weight (Kg): 3.5

Includes pop up waste?: No

Additional comments:

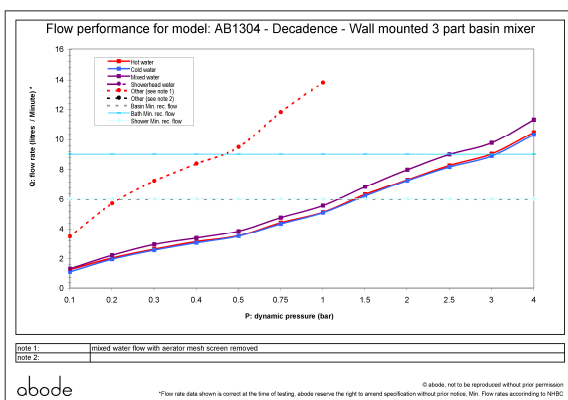
Includes 2 & 2.5mm allen key

Product dimensions:



- **Product mounted where:** Wall
- **Recommended hole size:** 32, 35, 32 mm
- **Overall Height / projection:** 222 mm
- **Exit reach:** 212 mm
- **Exit height:** 10 mm
- **Base size:** □ 49, □ 50, □ 49 mm
- **Inlet centre distance(s):** 95 mm
- **Min. fitting depth required:** 89 - 119 mm
- **Max. surface depth:**

Product flow characteristics:



- **Min / Max water pressure (bar):** 1.25* / 5.00
- **Part G max. mixed flow rate at 3 bar (l/m):** 9.75
- **Inlet connection type / length:** Fixed / mm
- **Inlet (plumbing connection) / outlet size:** 3/4" M /
- **Product flow characteristics:** Single flow
- **Non return valve(s) supplied or position:**
- **Aerator type:** Plastic honeycomb
- **Control valve type:** 1/2" QT CD ()
- **Includes output diverter?:** No
- **Inlet meshed particle filters included:**
- **Shower hose type / length:**

Warranty Summary (full details available on request):

- Materials and workmanship defects warranted for 5 years
- Valves and working parts warranted for 5 years
- Surface warranty defects warranted for 1 year
- O-rings, hoses & gaskets warranted for 1 year

Care instructions:

- Clean the mixers and showers regularly as required, using soap, do not use any other cleaners.
- Regular cleaning will prevent the build up of lime scale and dirt
- After cleaning rinse thoroughly with clean water to remove any cleaner residue
- Residues of liquid soaps, shampoos and shower foams can also cause damage, so rinse with clean water after using, avoid contact with any abrasives