



Product features:

- Metal construction throughout
- Single lever control for effortless single handed control
- Leading design features requiring high pressure
- Supplied complete with flexible tail pipes for fast simple fitting
- Swivel aerator connector for maximum flexibility

Packaged properties:

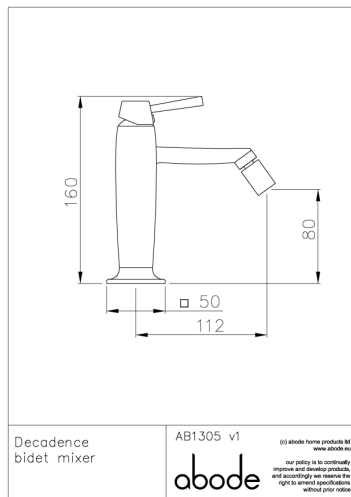
Box length (mm): 425 Box depth(mm): 70
Box width(mm): 235 Boxed weight (Kg): 2.3

Includes pop up waste?: Yes

Additional comments:

Includes 2mm allen key

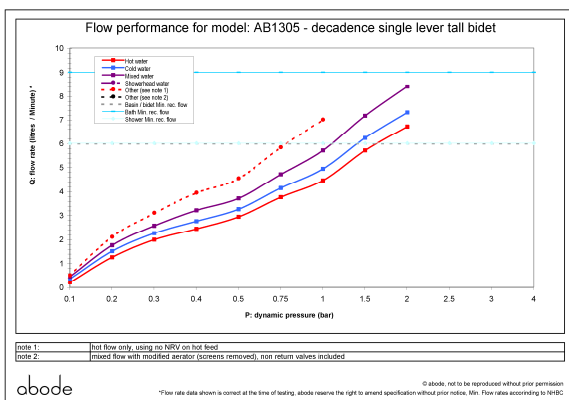
Product dimensions:



Decadence bidet mixer
AB1305 v1
© abode home products ltd www.abode.me
Our policy is to continually improve and develop products, and accordingly we reserve the right to amend specifications without prior notice.

- **Product mounted where:** Surface
- **Recommended hole size:** 160 mm
- **Overall Height / projection:** 112 mm
- **Exit reach:** 80 mm
- **Exit height:** □ 50 mm
- **Base size:**
- **Inlet centre distance(s):**
- **Min. fitting depth required:** 45 mm
- **Max. surface depth:**

Product flow characteristics:



- **Min / Max water pressure (bar):** 1.00* / 5.00
- **Part G max. mixed flow rate at 3 bar (l/m):** >8.4
- **Inlet connection type / length:** Flexible / 460, 520 mm
- **Inlet (plumbing connection) / outlet size:** 1/2" M / M8
- **Product flow characteristics:** Single flow
- **Non return valve(s) supplied or position:** h&c inlet
- **Aerator type:** Plastic honeycomb
- **Control valve type:** Single lever ()
- **Includes output diverter?:** No
- **Inlet meshed particle filters included:**
- **Shower hose type / length:**

Warranty Summary (full details available on request):

- Materials and workmanship defects warranted for 5 years
- Valves and working parts warranted for 5 years
- Surface warranty defects warranted for 1 year
- O-rings, hoses & gaskets warranted for 1 year

Care instructions:

- Clean the mixers and showers regularly as required, using soap, do not use any other cleaners.
- Regular cleaning will prevent the build up of lime scale and dirt
- After cleaning rinse thoroughly with clean water to remove any cleaner residue
- Residues of liquid soaps, shampoos and shower foams can also cause damage, so rinse with clean water after using, avoid contact with any abrasives