

**Product features:**

- Quarter turn handle action for precise flow control
- Luscious European quality chromium plate finish
- Modern minimalism with flair
- Metal construction throughout



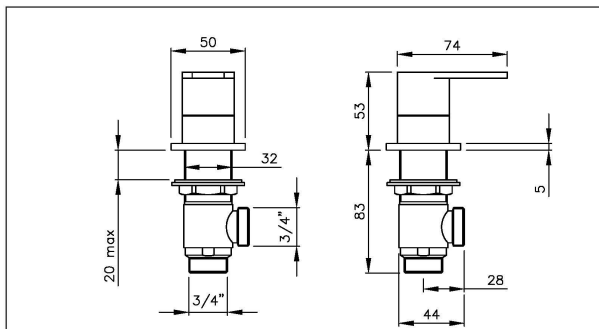
**Packaged properties:**

Box length (mm): 320      Box depth(mm): 75  
 Box width(mm): 210      Boxed weight (Kg): 1.3

Includes pop up waste?: No

Additional comments:

**Product dimensions:**



Debut  
Deck Mounted Bath Filler Panel Valves

AB1559 v1

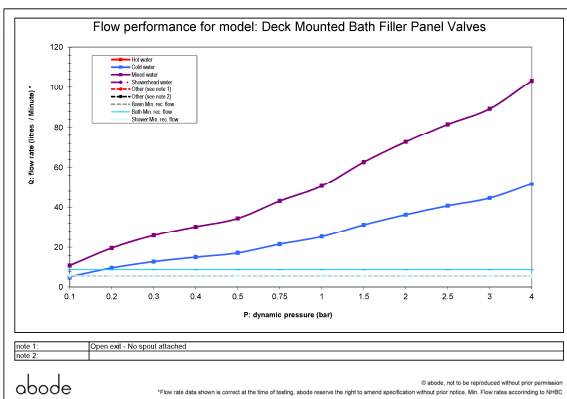


(c) abode home products ltd  
www.abode.eu  
our policy is to continually improve and develop products, and accordingly we reserve the right to amend specifications without prior notice.

- Product mounted where: Surface
- Recommended hole size: 34-40 mm
- Overall Height / projection: 53 mm
- Exit reach: 74 mm
- Exit height: 53 mm
- Base size: 50 mm
- Inlet centre distance(s): N/A mm

- Min. fitting depth required: N/A mm
- Max. surface depth: 20 mm

**Product flow characteristics:**



- Min / Max water pressure (bar): 0.10\* / 5.00
- Part G max. mixed flow rate at 3 bar (l/m): 89.32
- Inlet connection type / length: Fixed / 10 mm
- Inlet (plumbing connection) / outlet size: 3/4"M / 3/4"M
- Product flow characteristics:  
Non return valve(s) supplied or position:
- Aerator type:
- Control valve type: 3/4" QT CD (7.5 x 24)
- Includes output diverter?:
- Inlet meshed particle filters included:
- Shower hose type / length:

**Warranty Summary** (full details available on request):

- Materials and workmanship defects warranted for 5 years
- Valves and working parts warranted for 5 years
- Surface warranty defects warranted for 1 year
- O-rings, hoses & gaskets warranted for 1 year

**Care instructions:**

- Clean the mixers and showers regularly as required, using soap, do not use any other cleaners.
- Regular cleaning will prevent the build up of lime scale and dirt
- After cleaning rinse thoroughly with clean water to remove any cleaner residue
- Residues of liquid soaps, shampoos and shower foams can also cause damage, so rinse with clean water after using, avoid contact with any abrasives