



Product features:

- Metal construction throughout
- Single lever control for effortless single handed control
- Luscious European quality chromium plate finish
- A modern design classic style

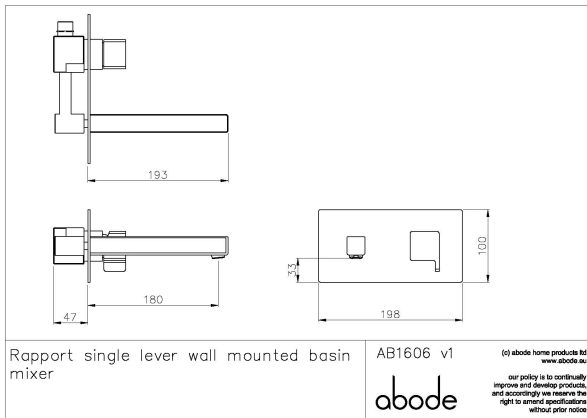
Packaged properties:

Box length (mm): 410 Box depth(mm): 110
Box width(mm): 280 Boxed weight (Kg): 3.1

Includes pop up waste?: No

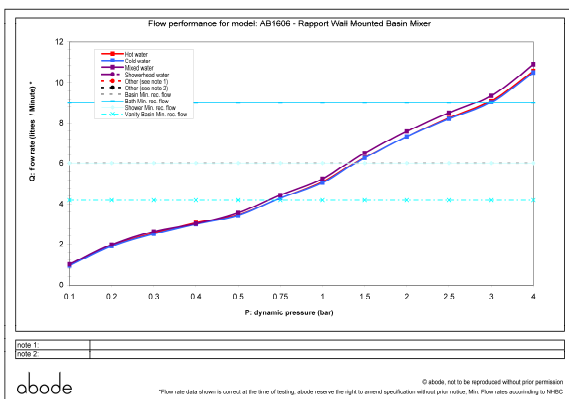
Additional comments:

Product dimensions:



- **Product mounted where:** Wall
- **Recommended hole size:** 175 x 70 mm
- **Overall Height / projection:** 193 mm
- **Exit reach:** 180 mm
- **Exit height:** 33 mm
- **Base size:** 198 x 100 mm
- **Inlet centre distance(s):** n/a mm
- **Min. fitting depth required:** 47 - 64 mm
- **Max. surface depth:** n/a mm

Product flow characteristics:



- **Min / Max water pressure (bar):** 0.50* / 5.5
- **Part G max. mixed flow rate at 3 bar (l/m):** 16.4
- **Inlet connection type / length:** Fixed / n/a mm
- **Inlet (plumbing connection) / outlet size:** 1/2" F / n/a
- **Product flow characteristics:** Single flow
- **Non return valve(s) supplied or position:** n/a
- **Aerator type:** Neoperl honeycomb, laminar, white screen
- **Control valve type:** Single lever (35mm)
- **Includes output diverter?:** N/A
- **Inlet meshed particle filters included:** n/a
- **Shower hose type / length:** N/a / n/a

Warranty Summary (full details available on request):

- Materials and workmanship defects warranted for 5 years
- Valves and working parts warranted for 5 years
- Surface warranty defects warranted for 1 year
- O-rings, hoses & gaskets warranted for 1 year

Care instructions:

- Clean the mixers and showers regularly as required, using soap, do not use any other cleaners.
- Regular cleaning will prevent the build up of lime scale and dirt
- After cleaning rinse thoroughly with clean water to remove any cleaner residue
- Residues of liquid soaps, shampoos and shower foams can also cause damage, so rinse with clean water after using, avoid contact with any abrasives