



Product features:

- Metal construction throughout
- Thermostatic valve for safety & comfort
- Minimalist planate design form
- Supplied with adjustable centre inlets
- Luscious European quality chromium plate finish

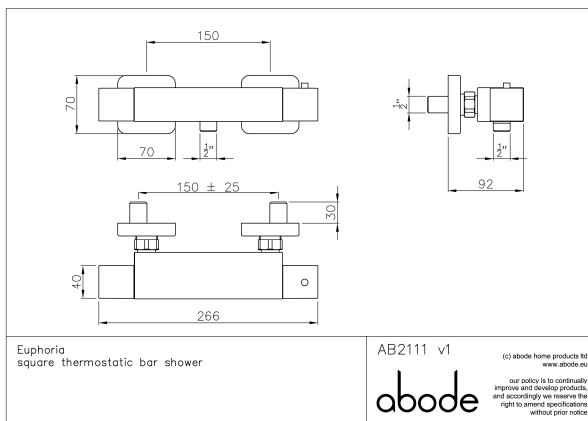
Packaged properties:

Box length (mm): 290 **Box depth(mm):** 85
Box width(mm): 95 **Boxed weight (Kg):** 2.0

Includes pop up waste?: No

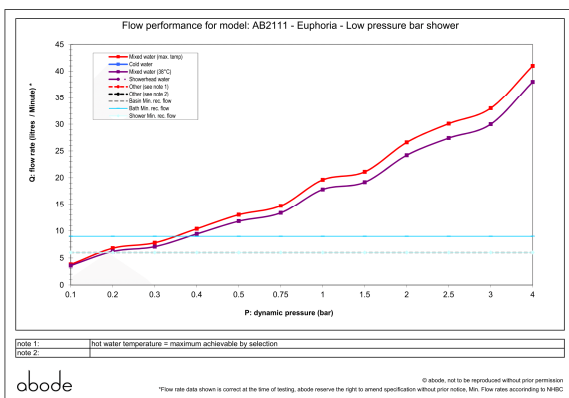
Additional comments:

Product dimensions:



- **Product mounted where:** Wall
- **Recommended hole size:** N/A mm
- **Overall Height / projection:** 92 mm
- **Exit reach:** 65 mm
- **Exit height:** 32 mm
- **Base size:** 70x70 mm
- **Inlet centre distance(s):** 150 +/-25 mm
- **Min. fitting depth required:** 60 mm
- **Max. surface depth:** N/A mm

Product flow characteristics:



- **Min / Max water pressure (bar):** 0.20* / 5.00
- **Part G max. mixed flow rate at 3 bar (l/m):** 33
- **Inlet connection type / length:** Eccentric / 50 mm
- **Inlet (plumbing connection) / outlet size:** 1/2" M / 3/4" M
- **Product flow characteristics:** N/A
- **Non return valve(s) supplied or position:** yes, in body
- **Aerator type:** N/A
- **Control valve type:** Thermostatic ()
- **Includes output diverter?:** N/A
- **Inlet meshed particle filters included:** 0.60 mm
- **Shower hose type / length:** N/A / N/A

Warranty Summary (full details available on request):

- Materials and workmanship defects warranted for 5 years
- Valves and working parts warranted for 5 years
- Surface warranty defects warranted for 1 year
- O-rings, hoses & gaskets warranted for 1 year

Care instructions:

- Clean the mixers and showers regularly as required, using soap, do not use any other cleaners.
- Regular cleaning will prevent the build up of lime scale and dirt
- After cleaning rinse thoroughly with clean water to remove any cleaner residue
- Residues of liquid soaps, shampoos and shower foams can also cause damage, so rinse with clean water after using, avoid contact with any abrasives