

# Dual Handle Mono Tap

Product Finish: Chrome

Product code: 368607  
EAN13 barcode: 5060344154055



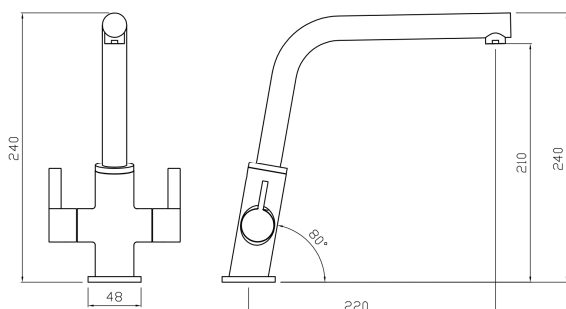
## Product features:

- Metal construction throughout
- Quarter turn handle action for precise flow control
- Minimalist planate design form
- Antisplash spout supplied as standard
- Supplied complete with flexible tail pipes for fast simple fitting

## Additional information / Parts included:

Includes 2.5 & 2mm Allen key & triangular stabiliser

## Product dimensions:



- **Overall Height / projection:** 240 mm
- **Exit reach:** 220 mm
- **Exit height:** 210 mm
- **Centre distance(s):** n/a

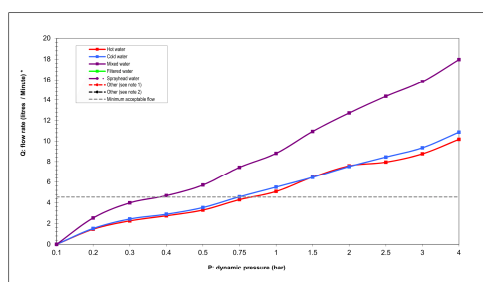
- **Base diameter(s):** 48 mm
- **Recommended hole diameter:** Ø35 mm
- **Max. surface depth:** 50 mm

- **Spout diameter:** 22 mm
- **Spout aerator size:** 18mm

## Packaged properties:

- |                                |                             |
|--------------------------------|-----------------------------|
| <b>Box length:</b> 425mm       | <b>Box depth:</b> 70mm      |
| <b>Box width:</b> 235mm        | <b>Units per outer:</b> 5   |
| <b>Tap only weight:</b> 1.08kg | <b>Boxed weight:</b> 1.68kg |

## Product flow characteristics:



- **Min / Max water pressure:** 0.50 / 5.5 bar
- **Recommended / Max water temperature:** 46°C / 70°C
- **Part G - Mixed flow rate at 3 bar (litres / min):** 15.80

- **Control valve type:** Ceramic disc QT
- **Product flow characteristics:** Single flow
- **Non return valve(s):** Integral to hot & cold inlets

- **Aerator type:** Plastic mesh diffuser
- **Spout connection method:** Grub screw

- **Tail pipe inlet / outlet size:** M10 / 1/2" BSP Male
- **Inlet pipe type / length:** flexible stainless braided hose / 370 mm

## Care instructions summary:

- Clean the mixers and showers regularly as required, using soap, do not use any other cleaners.
- Regular cleaning will prevent the build up of lime scale and dirt
- After cleaning rinse thoroughly with clean water to remove any cleaner residue
- Residues of sink & worktop cleaners can also cause damage, so rinse with clean water after using, avoid contact with any abrasives

## Warranty Summary (Full details available on request):

- Materials and workmanship defects warranted for 5 years
- Valves and working parts warranted for 5 years
- Surface warranty defects warranted for 1 year
- O-rings, hoses & gaskets warranted for 1 year