

Top Single Lever Mono Tap

Product Finish: Chrome

Product code: 368606
EAN13 barcode: 5060344154093



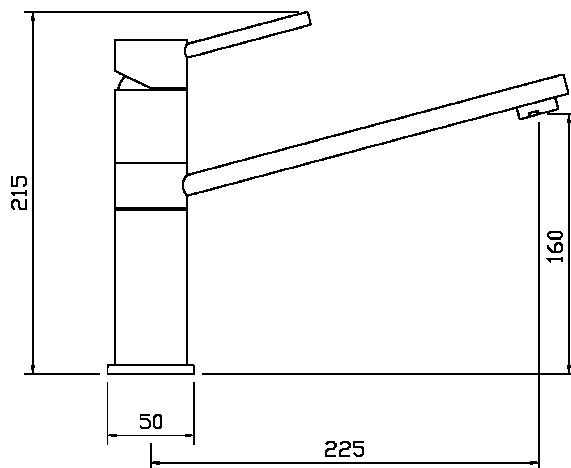
Product features:

- Metal construction throughout
- Subtle soft sweeping design form
- Single lever control for effortless single handed control
- Leading design features requiring medium or higher supply pressures
- Antisplash spout supplied as standard

Additional information / Parts included:

2mm a/f Allen key & stabiliser included, inlets colour coded

Product dimensions:



- Overall Height / projection: 215 mm
- Exit reach: 225 mm
- Exit height: 160 mm
- Centre distance(s): n/a

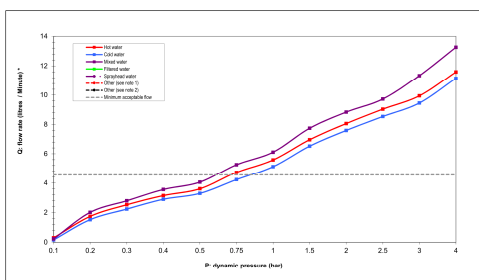
- Base diameter(s): 50 mm
- Recommended hole diameter: Ø35 mm
- Max. surface depth: 100 mm

- Spout diameter: 35 x 12 mm
- Spout aerator size: m22f

Packaged properties:

Box length: 425mm	Box depth: 70mm
Box width: 235mm	Units per outer: 5
Tap only weight: 0.98kg	Boxed weight: 1.60kg

Product flow characteristics:



- Min / Max water pressure: 0.60 / 5.5 bar
- Recommended / Max water temperature: 46°C / 70°C
- Part G - Mixed flow rate at 3 bar (litres / min): 11.34

- Control valve type: Single lever ceramic cartridge
- Product flow characteristics: Single flow
- Non return valve(s): Integral to hot & cold inlets

- Aerator type: Honeycomb Aerator
- Spout connection method: N/A

- Tail pipe inlet / outlet size: M10 / 1/2" BSP Female
- Inlet pipe type / length: flexible stainless braided hose / 370 mm

Care instructions summary:

- Clean the mixers and showers regularly as required, using soap, do not use any other cleaners.
- Regular cleaning will prevent the build up of lime scale and dirt
- After cleaning rinse thoroughly with clean water to remove any cleaner residue
- Residues of sink & worktop cleaners can also cause damage, so rinse with clean water after using, avoid contact with any abrasives

Warranty Summary (Full details available on request):

- Materials and workmanship defects warranted for 5 years
- Valves and working parts warranted for 5 years
- Surface warranty defects warranted for 1 year
- O-rings, hoses & gaskets warranted for 1 year