



**Product features:**

- Metal construction throughout
- Custom designed for lower range pressures
- Luscious European quality chromium plate finish
- Fixed spout to prevent accidental water damage
- Traditional European styling

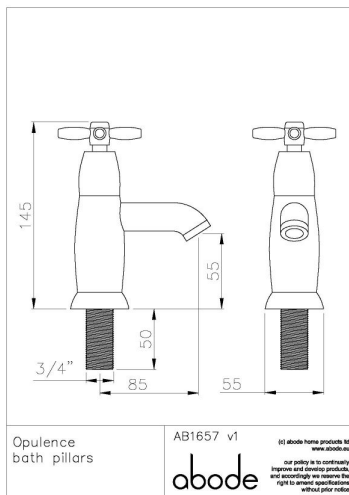
**Packaged properties:**

Box length (mm): 255      Box depth(mm): 95  
Box width(mm): 200      Boxed weight (Kg): 2.2

Includes pop up waste?: No

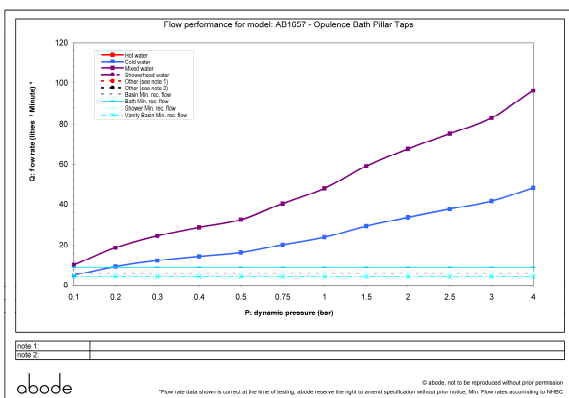
Additional comments:

**Product dimensions:**



- Product mounted where: Surface
- Recommended hole size: 35 mm
- Overall Height / projection: 145 mm
- Exit reach: 85 mm
- Exit height: 55 mm
- Base size: 55 mm
- Inlet centre distance(s): n/a mm
- Min. fitting depth required: 0 mm
- Max. surface depth: 40 mm

**Product flow characteristics:**



- Min / Max water pressure (bar): 0.10\* / 5.5
- Part G max. mixed flow rate at 3 bar (l/m): 83.02
- Inlet connection type / length: Fixed / 50 mm
- Inlet (plumbing connection) / outlet size: 3/4" M / n/a
- Product flow characteristics: Single flow
- Non return valve(s) supplied or position: n/a
- Aerator type: Flow straightener
- Control valve type: 3/4 QT CD (8-20)
- Includes output diverter?: N/A
- Inlet meshed particle filters included: n/a
- Shower hose type / length: N/a / n/a

**Warranty Summary** (full details available on request):

- Materials and workmanship defects warranted for 5 years
- Valves and working parts warranted for 5 years
- Surface warranty defects warranted for 1 year
- O-rings, hoses & gaskets warranted for 1 year

**Care instructions:**

- Clean the mixers and showers regularly as required, using soap, do not use any other cleaners.
- Regular cleaning will prevent the build up of lime scale and dirt
- After cleaning rinse thoroughly with clean water to remove any cleaner residue
- Residues of liquid soaps, shampoos and shower foams can also cause damage, so rinse with clean water after using, avoid contact with any abrasives