

Product Finish: Brushed nickel

Product code: AT1229  
EAN13 barcode: 5060344151702



Note: the image shown may not reflect the product finish, chrome finish is typically depicted.

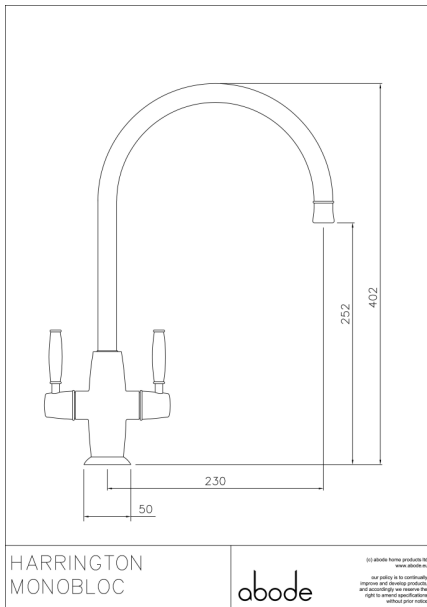
**Product features:**

- Metal & acrylic handle construction
- Custom designed for lower to mid pressures
- Traditional French provincial styling
- Quarter turn handle action for precise flow control
- Swivel spout for maximum flexibility

**Additional information / Parts included:**

Includes 2.5 & 2mm Allen key & triangular stabiliser

**Product dimensions:**



- Overall Height / projection: 402 mm
- Exit reach: 230 mm
- Exit height: 252 mm
- Centre distance(s):

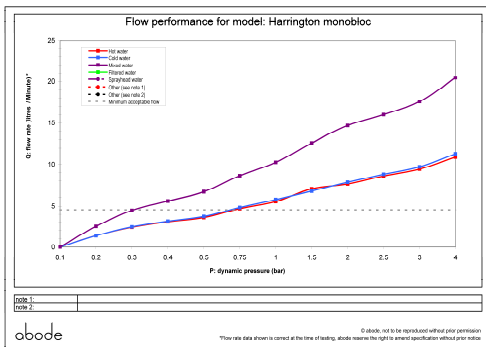
- Base diameter(s): 50 mm
- Recommended hole diameter: Ø 35 mm
- Max. surface depth: 45 mm

- Spout diameter: 20 mm
- Spout aerator size: 18f

**Packaged properties:**

- Box length: 430mm
- Box depth: 70mm
- Box width: 340mm
- Units per outer: 5
- Tap only weight: 1.81kg
- Boxed weight: 2.41kg

**Product flow characteristics:**



- Min / Max water pressure: 0.40 / 5.5 bar
- Recommended / Max water temperature: 46°C / 70°C
- Part G - Mixed flow rate at 3 bar (litres / min): 17.63

- Control valve type: Ceramic disc QT
- Product flow characteristics: Single flow
- Non return valve(s): Integral to hot & cold inlets

- Aerator type: Plastic mesh diffuser
- Accepts revolve / spray areator: No
- Spout connection method: Grub screw

- Tail pipe inlet / outlet size: M10 / 1/2" BSP Male
- Inlet pipe type / length: flexible stainless braided hose / 370 mm

**Care instructions summary:**

- Clean the mixers and showers regularly as required, using soap, do not use any other cleaners.
- Regular cleaning will prevent the build-up of lime scale and dirt
- After cleaning rinse thoroughly with clean water to remove any cleaner residue
- Residues of sink & worktop cleaners can also cause damage, so rinse with clean water after using, avoid contact with any abrasives

**Warranty Summary (Full details available on request):**

- Materials and workmanship defects warranted for 5 years
- Valves and working parts warranted for 5 years
- Surface warranty defects warranted for 1 year
- O-rings, hoses & gaskets warranted for 1 year